

Lockable, with relief port.

Brass safety ball valves. Specially designed for pneumatic applications. The ball valve can be locked manually and has a relief port.

Material	Stainless steel
Hand lever	Stainless steel - PVC coated
Bore size handle	7 mm
Ball seals	PTFE / NBR
Stem seal	PTFE
Operating pressure	max. 10 bar
Operating temperature	-20 °C to max. +100 °C
Thread	Rp thread acc. to ISO 7-1
Relief port	Thread M5



396.06

Stainless steel ball valves, lockable, with relief port

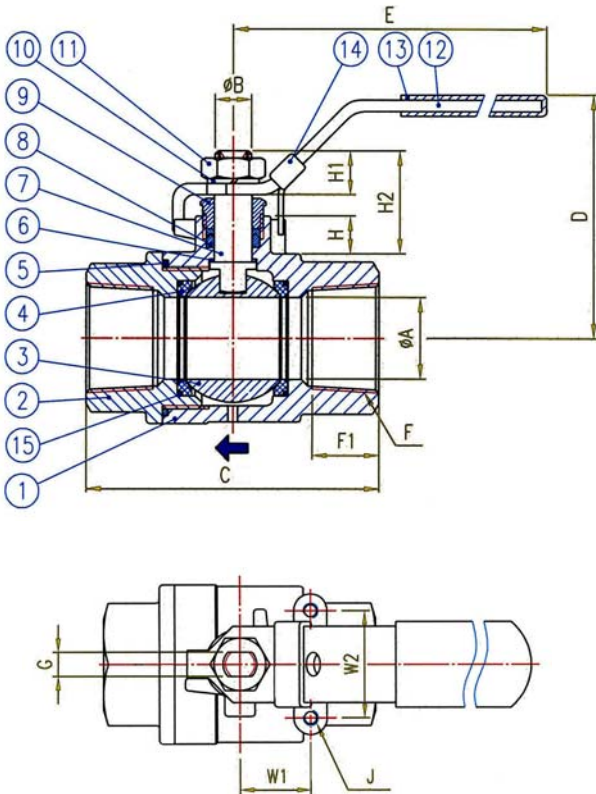
Art. No.	Ident No.	Thread	D N	E mm	D mm	C mm	ØA mm	ØB mm	F1 mm	F mm	G mm	H mm	H1 mm	H2 mm	W1 mm	W2 mm
396.02	103439	Rp 1/4	8	100.0	50.0	55.0	11.5	8.0	15.0	1/4	5.0	8.0	9.8	22.3	12.7	28.5
396.03	103440	Rp 3/8	10	100.0	50.0	55.0	12.5	8.0	15.0	3/8	5.0	8.0	9.8	22.3	12.7	28.5
396.04	103441	Rp 1/2	15	130.0	60.0	65.0	15.0	9.5	16.0	1/2	6.5	10.5	11.0	25.6	12.7	28.5
396.05	103442	Rp 3/4	20	130.0	64.0	74.6	20.0	9.5	17.0	3/4	6.5	10.5	11.0	25.6	22.4	35.0
396.06	103443	Rp 1	25	165.0	71.0	88.0	25.0	11.0	20.4	1	8.0	11.5	13.5	31.5	23.4	35.0
396.07	103444	Rp 1 1/4	32	165.0	78.0	102.0	32.0	11.0	22.0	1 1/4	8.0	11.5	13.5	31.5	25.4	38.1
396.08	103445	Rp 1 1/2	40	190.0	86.0	110.0	38.0	14.0	22.5	1 1/2	9.7	12.0	15.6	35.1	25.4	38.1
396.09	103446	Rp 2	50	190.0	95.0	125.0	50.0	14.0	26.0	2	9.7	9.5	15.6	30.6	25.4	38.1

Padlock

Art. No.	Ident No.	Description
VS 38	139824	Band Ø 7 mm



VS 38



NO.	PART NAME	QTY	MATERIAL
1	Body	1	CF8M
2	End Cap	1	CF8M
3	Ball	1	SS316
4	Seat	2	PTFE/RTFE
5	Joint Gasket	1	PTFE
6	Thrust Washer	1	PTFE
7	Stem	1	SS316
8	Gland Packing	1 Set	PTFE
9	Gland Bush	1	SS304
10	Stem Washer	1	SS304
11	Stem Nut	1	SS304
12	Handle	1	SS304
13	Handle Cover	1	VINYL(PVC)
14	Locking Device	1	SS304
15	O-Ring	2	NBR

